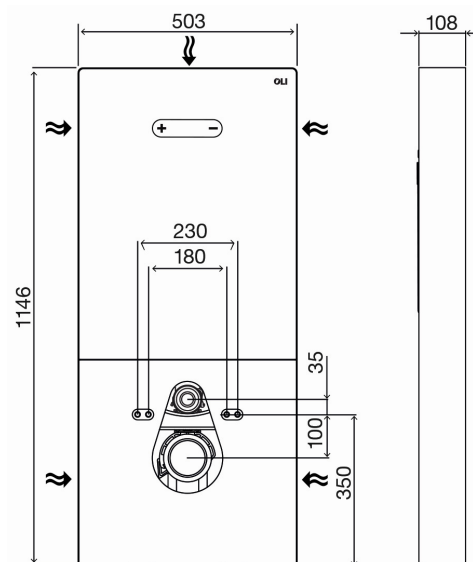


Technical Sheet

QR Inox SUSP Button



Product Identification

061565 QR-Inox SUSP Button White

061568 QR-Inox SUSP Button Black

Definition and Application

- Sanitary module designed for application in front of the masonry wall and the best option for a quick renovation bathrooms or new sanitary installations
- Equipped with OLI74 Plus with pneumatic actuation trough a stainless steel tilt selector button
- Compatible with floor cisterns

Technical Features

Structure

- Euro Sanitarblock S90
 - Metal with 1,5mm thickness, corrosion resistant
 - Depth adjustable bend
 - Tested for 400kg load
- One piece, brushed stainless steel lateral frame
- Four external water entry positions or internal
- 6mm tempered glass front panel (split in two parts)

Millimetres measures

Cistern

- Dual flush 6/3 litres (adjustable to 7/3 litres)
- Mechanic actuation
- Working pressure from 0,1 to 16 bar
- Resistance to atmospheric humidity (Hr <90%).
- Polypropylene (PP) cistern highly resistant and inalterable to thermal stress
- Certified cistern according KIWA/SABS/SAI/WRAS standards
- CE EN 14055 marking CL1
- Equipped with Azor Plus Inlet Valve, with delayed refilling (saves up to 9 litres of water per day) and silent according to the NF standard category Class I
- Supplied with anti-condensation lining
- "A" class for the Water Efficiency in compliance with the ANQIP Authority requirements

Accessories

- 1 Discharge pipe \varnothing 90 x 300
- 1 Seal for discharge pipe \varnothing 125
- 1 Connecting pipe \varnothing 45 x 180
- 1 Pan rubber seal \varnothing 45
- 1 Flush bend \varnothing 90 / 90 L230
- 1 Flexible hose $\frac{1}{2}$ " / $\frac{1}{2}$ ", 250mm
- 1 Adaptor \varnothing 90/110
- 1 Connection 3/8
- 8 Lateral fixations

Fixing the structure to the wall and floor

- 4 Galvanized screws M8x60
- 4 Galvanized washers M8 DIN 9021
- 4 Bushing for metal structure

For fixing cistern on the structure:

- 2 Threaded rods M12
- 2 Nuts M12
- 2 Protection for threaded rod
- 2 Protection cover
- 2 Toilet centring washer
- 2 Washers Zn \varnothing 34

Warranty

- Ten (10) years warranty for the cistern and the structure, according to the general selling terms, starting from the purchase date of the product.
- Two (2) years warranty for lateral frame and front panel according to the general selling terms, starting from the purchase date of the product
- If the product is not correctly installed the warranty is not valid

Observations

- There are available similar products. For more information please consult our Sanitary Installation Systems catalogue or our site www.oli-world.com