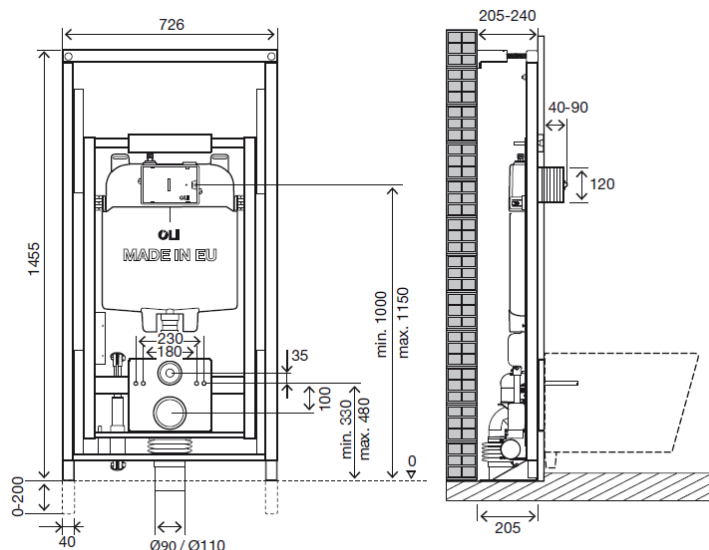


Technical Sheet

Adjustable Frame for Easy Move



Product Identification

005308

- Adjustable frame Easy Move with OLI174 Plus cistern

Definition and Application

- Easy Move frame is compatible with all wall-hung WC pans
- Ergonomic system adjustable in height by 150mm
- Installation in resistant walls and frontal finishing in masonry and plasterboard walls

Technical Features

Structure

- Painted tubular with 2mm thickness, corrosion resistant
- Height adjustable from 0 to 150mm
- Easy installation with Fast Fit System
- Tested for 400kg load
- Mechanical adjustment system operated by one low-voltage motor, that allows height adjustment through a remote control
- Predisposal to install lift-up support rail

Millimetres measures

Cistern

- Dual flush of 6/3 litres (adjustable 4.5/3L)
- Mechanic actuation
- Working pressure from 0,1 to 16 bar
- Resistance to atmospheric humidity (Hr <90%).
- Polypropylene (PP) cistern highly resistant and inalterable to thermal stress
- Other versions compliant with KIWA/UPC/SAI/WRAS/Watermark standards
- EN 14055 marking CL1
- Equipped with Azor Plus Inlet Valve, with delayed refilling (saves up to 9 litres of water per day) and silent according to the NF standard category Class I
- Supplied with anti-condensation lining
- "A" class for the Water Efficiency in compliance with the ANQIP Authority requirements

Accessories

- 1 Discharge pipe \varnothing 90 x 250
- 1 Seal discharge pipe \varnothing 125
- 1 Connection pipe \varnothing 45 x 180
- 1 Pan rubber seal \varnothing 45
- 1 Protective box
- 1 G 1/2" stop valve
- 1 Protection sponge for the stop valve
- 1 Outlet bend \varnothing 90
- 1 Adaptor \varnothing 90 /110
- 1 Protection pipe \varnothing 90
- 1 Protection pipe \varnothing 45
- 1 Wood panel
- 1 Remote control

Fixing the structure to the wall and floor

- 4 Galvanized screws M8x60
- 4 Galvanized washers M8 DIN 9021
- 4 Bushing for metal structure
- 2 Fast Fit fixing

For fixing WC to the structure

- 2 Threaded rods M12
- 2 Nuts M12
- 2 Protection for threaded rod
- 2 Protection cover
- 2 Toilet centring washer
- 2 Washers Zn \varnothing 34

Technical Sheet

Adjustable Frame for Easy Move



Motor

- Power supply: 220 v (50/60 HZ)
- Power source: 350 Watt
- Insulation: IP66
- Movement velocity: 28 mm/s
- Push power: 6000N (around 600Kgf)
- Traction power: 3000N (around 300Kgf)
- Limit switch

Warranty

Structure

- Ten (10) years warranty according to the general selling terms, starting from the purchase date of the product
- If the product is not correctly installed the warranty is not valid

Eletronical components

- Two (2) years warranty according to the general selling terms, starting from the purchase date of the product
- If the product is not correctly installed the warranty is not valid

Observations

- There are available similar products. For more information please consult our Sanitary Installation Systems catalogue or our site www.oli-world.com